

Low Voltage Wall Switches with 0-10V Dimming

INSTALLATION INSTRUCTIONS

DESCRIPTION

Hubbell Control Solutions' (HCS) Low Voltage Wall Switches with 0-10V Dimming are designed to provide a user interface and control of systems operating on Class 2, low voltage circuitry. Utilizing a configuration that fits standard, single gang, decorative wall boxes, these switch stations provide a solution for applications where low voltage interface capabilities for lighting controls are required to comply with current energy codes and standards.

FEATURES

The HCS Low Voltage Wall Switch with the 0-10V dimming features an indicating pilot light that will illuminate while the occupant has the wall station in the on state and occupancy is detected. The pilot light will not illuminate when the room is vacant or if the occupant manually turns off the lights in the room.

Upon reentry of the room and the lights are turned on, either automatically or manually, they will return to the last dimmed state.

M, version - Momentary version, used with vacancy control pack or input requiring a momentary action to activate/deactivate lighting.

L, version - Latching version, used with automatic control pack or input requiring a latching action.

*If the switch station was last in the on state when room became vacant, the lights will turn on automatically.

*If the switch station was last in the off state when the room became vacant, the lights will need to be manually turned on via activation of the switch station.

ML, version - Combination version. The second button is the momentary button. The third button is the latching button.

The functionality of the buttons are static and cannot be modified.

SPECIFICATIONS

- Compatible with HCS UVPPHD, UVPPM, UVPP control packs, MPSA and MPSHD auxiliary packs, and IEC60929 Annex E.2 compliant LED Drivers
- Accepts Hubbell Wiring Device-Kellems NPS26 and NP26 series standard decorator style wall plate (Not Included)

ELECTRICAL RATINGS:

- 100mA @ 30VDC
- Current Sinking Capacity: 100mA
- Available in Latching (Auto ON, if left in the On position/Auto OFF, if left in the On position), Momentary (Manual ON/Auto OFF) and combination of both configurations

PRECAUTIONS:

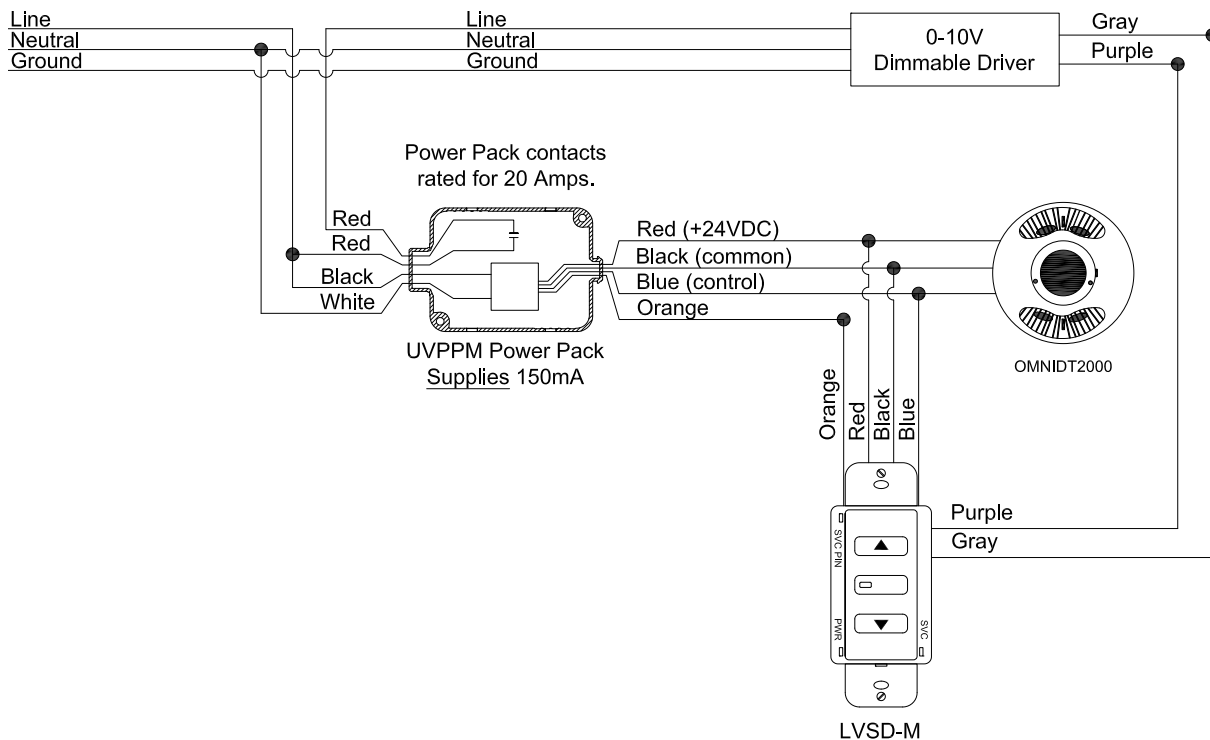
- **CAUTION: FOR USE WITH CLASS 2, LOW VOLTAGE SYSTEMS ONLY. DO NOT USE IN APPLICATIONS BEYOND ELECTRICAL RATINGS SHOWN ABOVE OR ALTERNATE CURRENT**
- Read and understand all instructions before beginning installation
- Disconnect main power to controlled circuit prior to installation
- **NOTICE:** For installation by a licensed electrician in accordance with National and/or local Electrical Codes, the instructions of the system to be interfaced with, and the following instructions. Do not install if any damage to product is noticed.
Indoor use only.
- **CAUTION: USE COPPER CONDUCTOR ONLY**
- Confirm device ratings are suitable for application prior to installation. Use of device in applications beyond its specified ratings or in applications other than its intended use may cause an unsafe condition and will void manufacturer's warranty.

72-00642

INSTALLATION

1. Prepare the installation site, as necessary, to install the 0-10V dimming low voltage switch.
2. Route 18 AWG, Class 2 cable with a quantity of conductors sufficient for the version of the wall switch being used from the wall switch location to the system control device. Maximum lead length must not exceed 150 feet.
 - a. Low voltage wiring must be isolated from line voltage wiring. Consult National and Local Electrical Codes for conduit requirements.
3. Wire the wall switch to the control device according to the instructions of the device and the appropriate wiring diagrams shown below.
 - a. Wires on the wall switch are color coded. IEC60929 Annex E.2 0-10V wiring standard colors are Gray (-) and Purple (+). These wires are to be connected ONLY to compatible dimming ballast/LED drivers. Control switching wires are color coded per HCS control devices color code. See installation diagrams in Figures 1 through 3 for more details.
4. Install the wall switch into the wall box using the mounting screws provided. Install decorator style wall plate (not included).
5. Perform system setup and/or programming activities as applicable in accordance with the instructions of the occupancy sensor system.
6. Verify switch functionality by pressing the wall switch buttons(s) and confirm proper system operation.

Figure 1
Low Voltage Wall Switch with 0-10V Dimming Momentary Configuration Wiring Diagram



72-00642

Figure 2
Low Voltage Wall Switch 0-10V with Dimming Latching Configuration Wiring Diagram

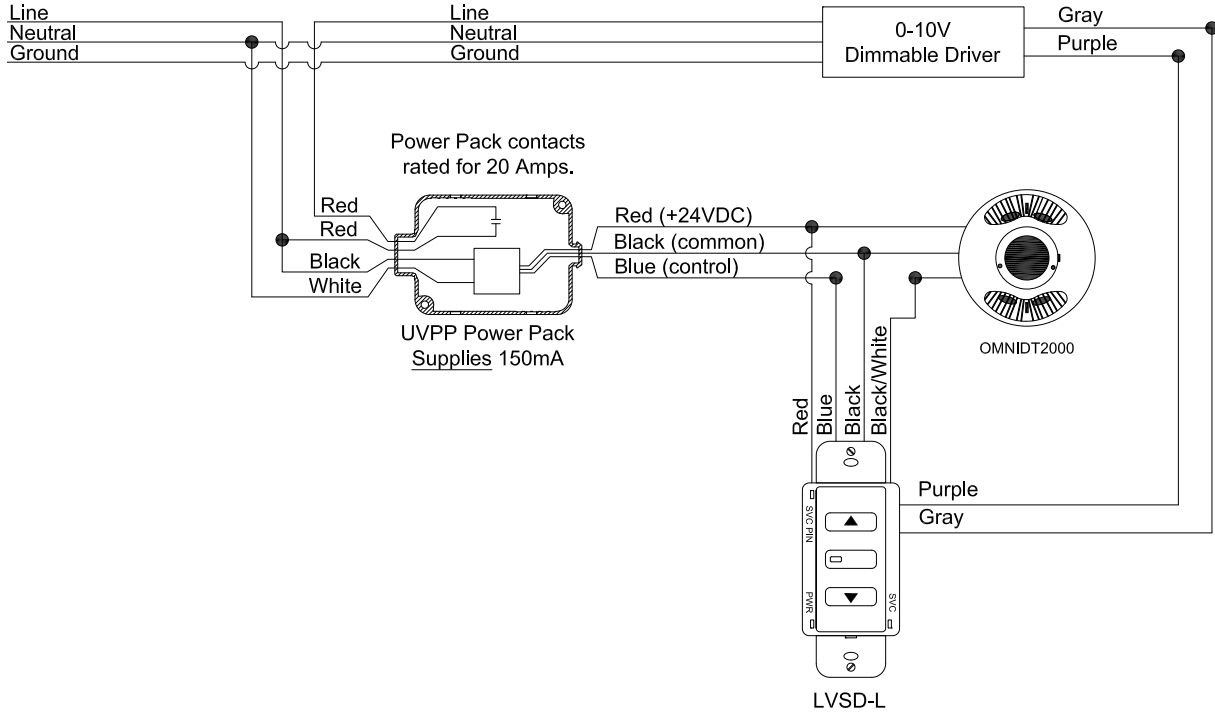
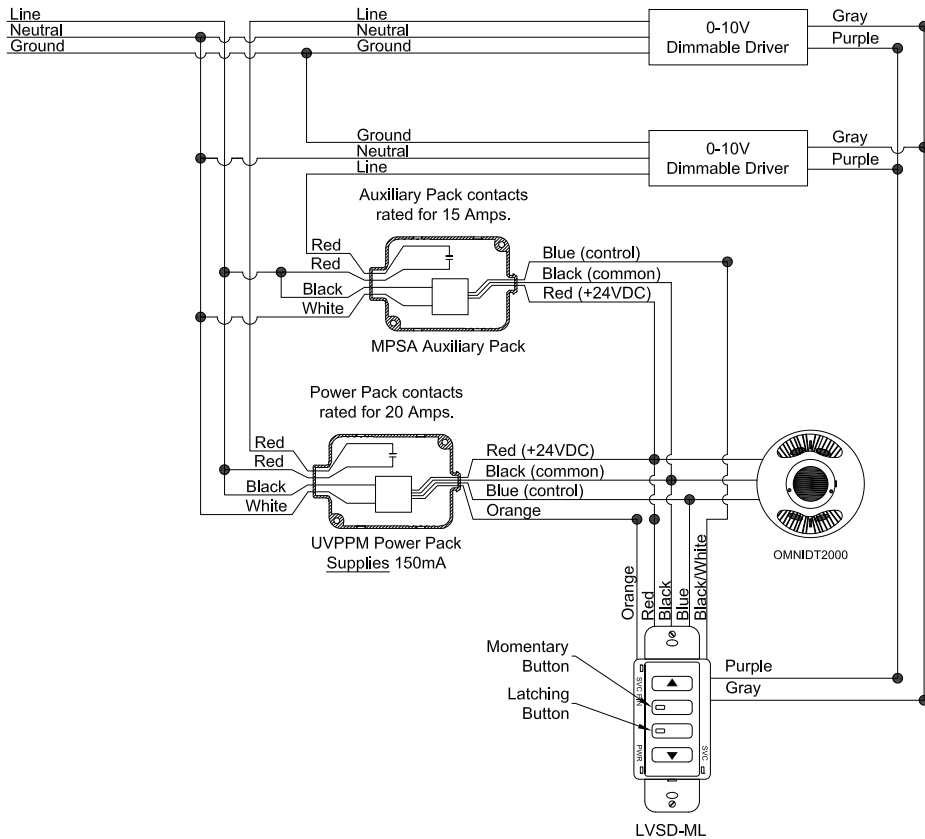


Figure 3
Low Voltage Wall Switch with 0-10V Dimming Combination (Momentary and Latching) Configuration Wiring Diagram



72-00642